



# VC Surface mount build-in box volume controls

## TECHNICAL SPECIFICATIONS



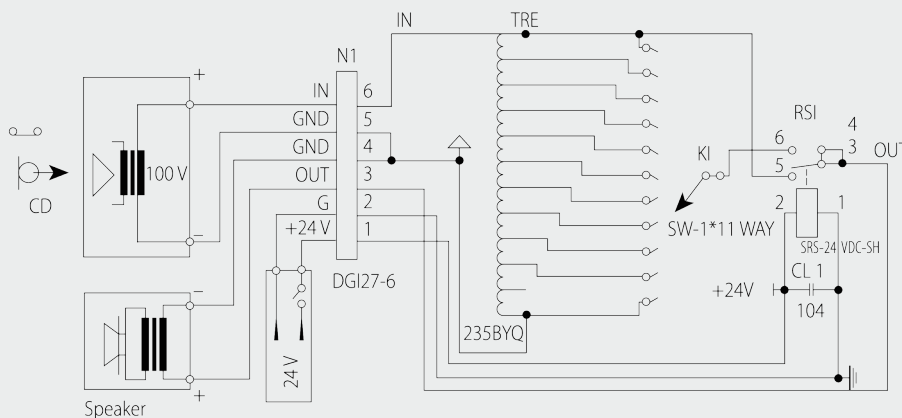
### VC

**VC volume controls designed for background music and voice evacuation systems.**

Each unit features a 10-step attenuation. Built-in 24V internal emergency relay sets audio signal to maximum level. Different models have a different power, so VC is suitable in various size sound systems.

	VC 5R	VC 30R	VC 60R
Input	5 W	30 W	60 W
Steps	10 + OFF		
Dimensions	86 x 86		
Material	Plastic		
Switch modality	DC 24 V/6 Wire		
Modality	Resistor	Transformer	
Weight	0,16 kg	0,16 kg	0,18 kg
Emergency relay	DC 24 V		

Electrical scheme



unit: mm

### VC series

